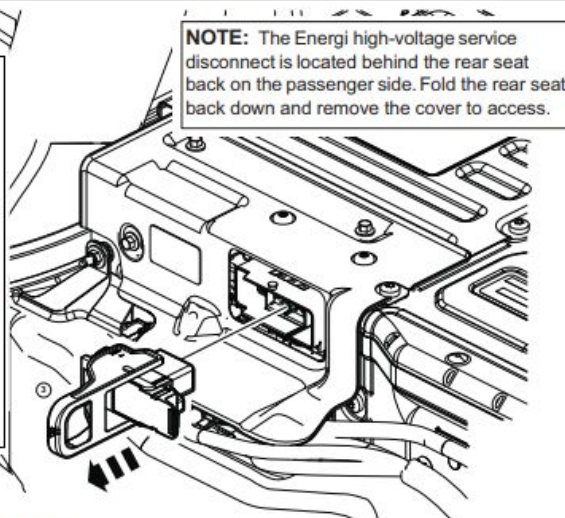
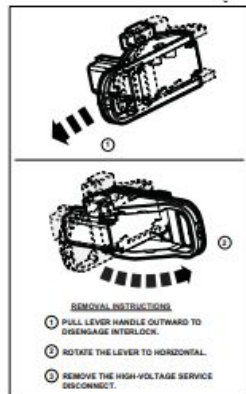
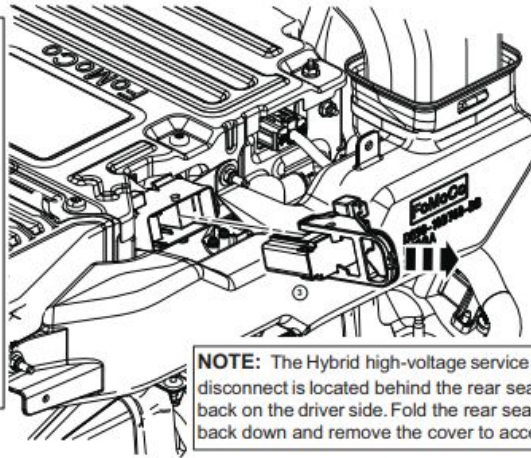
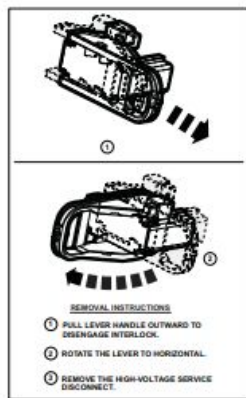




# BESTHYBRID BATTERIES

## 2013 - 2015 Ford Fusion and Energi HV Battery Removal and Installation Instructions

### Step 1: Remove Orange HV Disconnect Plug

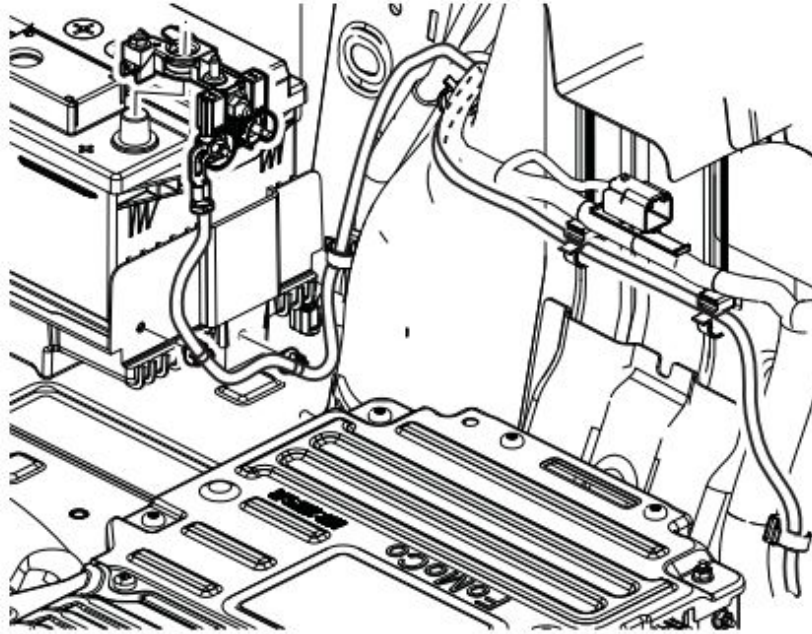


**NOTE:** Wait 5 minutes after the service disconnect plug is removed before continuing service. This allows any residual voltage in the high voltage system to dissipate.

**NOTE:** Depowering the high-voltage system **does not** dissipate the high-voltage inside the battery. The battery pack will remain live and dangerous.

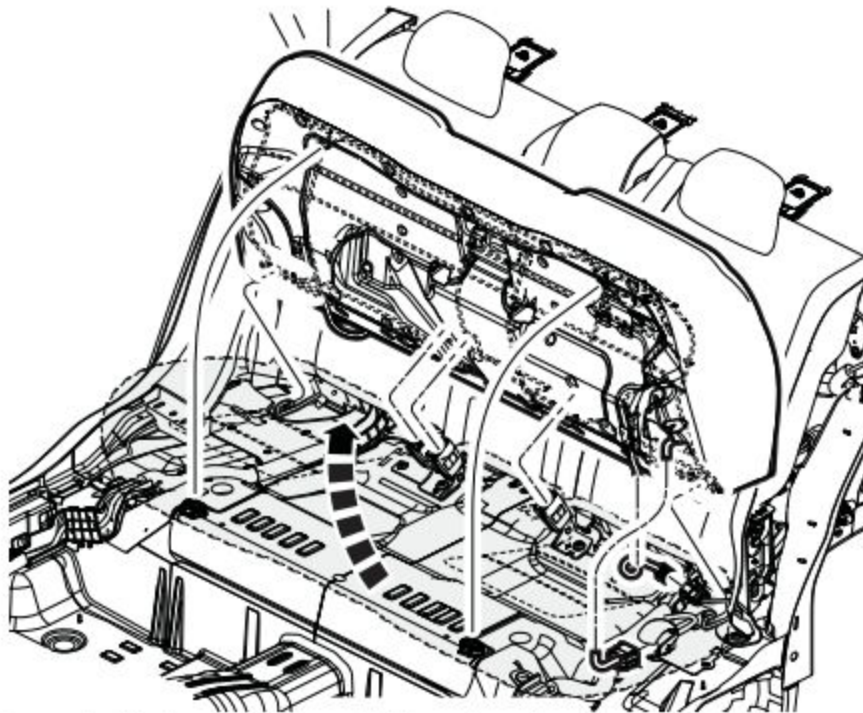
**NOTE:** Fusion Hybrid shown, MKZ Hybrid and Fusion Energi similar.

2. Disconnect and isolate the negative battery cable.



**NOTE:** Fusion Hybrid shown, MKZ Hybrid and Fusion Energi similar.

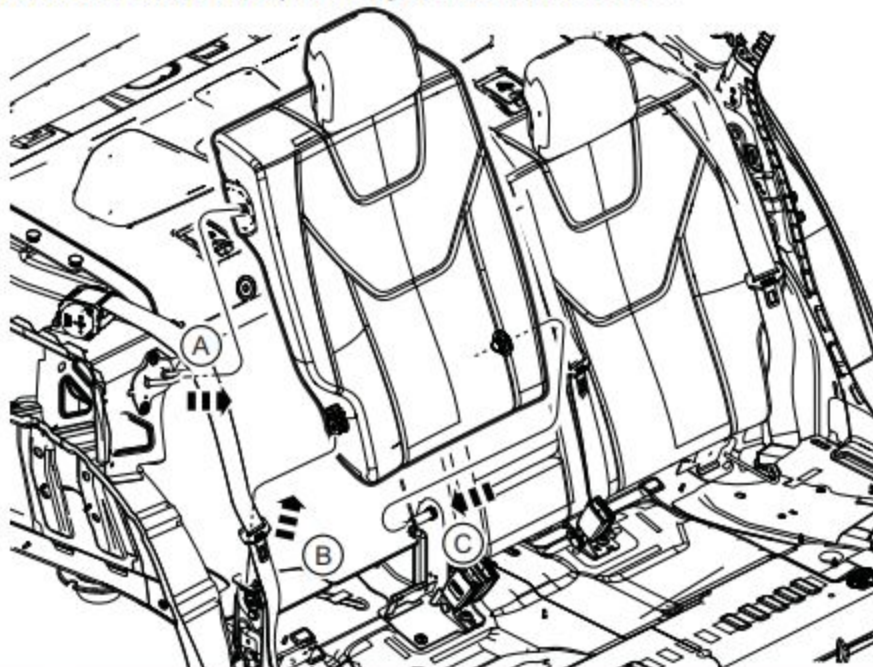
3. Remove the rear seat cushion from the vehicle.



**NOTE:** Fusion Hybrid shown, MKZ Hybrid and Fusion Energi similar.

4. Remove the 40% Seat Back:

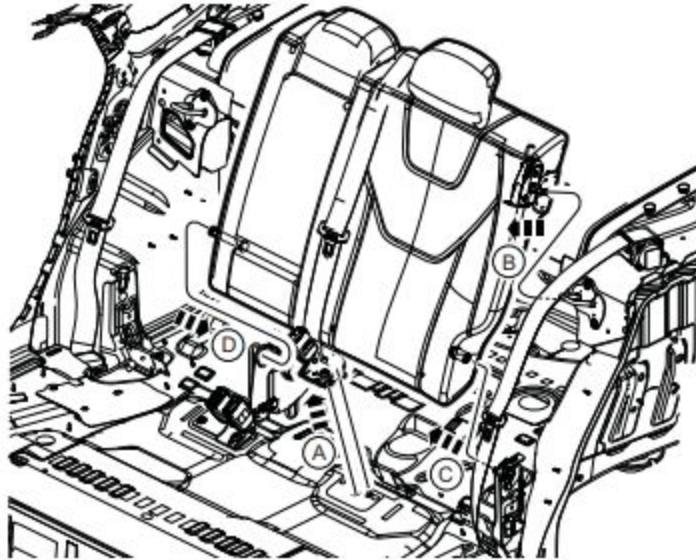
- A. Disengage and tilt seat back forward.
- B. Disengage seat back at the hinge.
- C. Pull seat back towards the passenger side and remove.



**NOTE:** Fusion Hybrid shown, MKZ Hybrid and Fusion Energi similar.

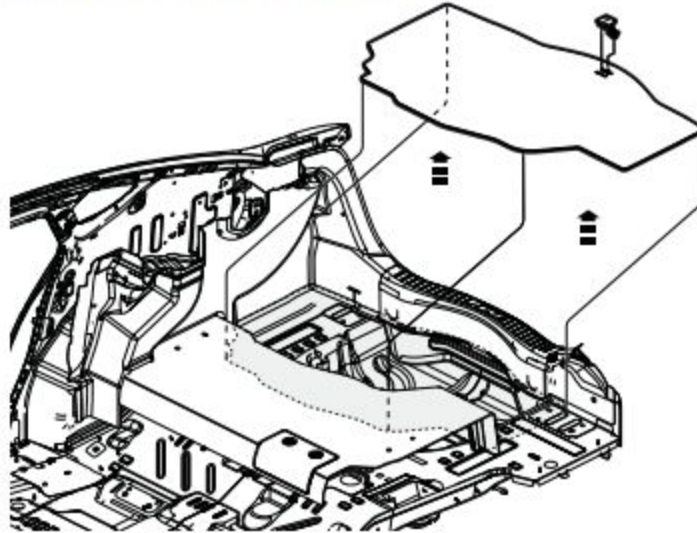
5. Remove the 60% Seat Back:

- A. Remove the seat belt anchor plate fastener.
- B. Disengage and tilt seat back forward.
- C. Disengage seat back at hinge.
- D. Pull seat back towards the driver side and remove.



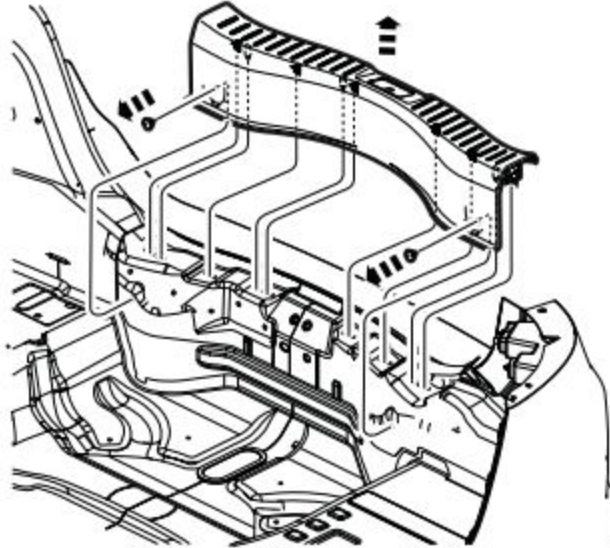
**NOTE:** Fusion Hybrid shown, MKZ Hybrid and Fusion Energi similar.

6. Remove the cargo cover from the trunk compartment.



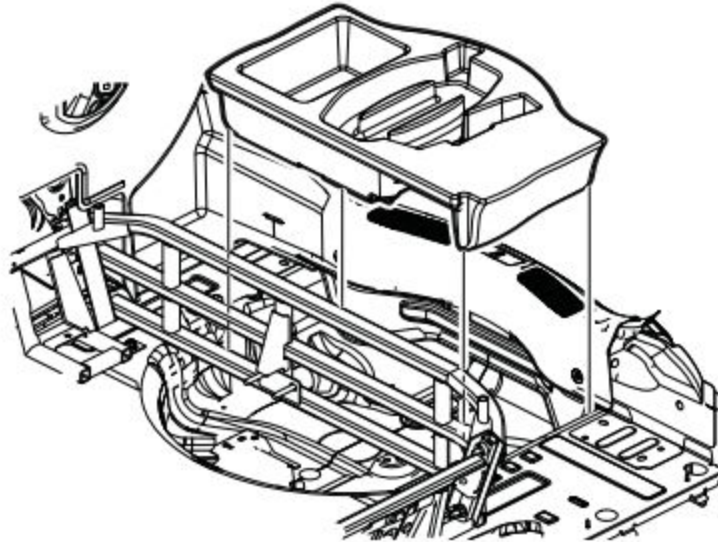
**NOTE:** Fusion Hybrid shown, MKZ Hybrid and Fusion Energi similar.

7. Remove the trunk scuff.



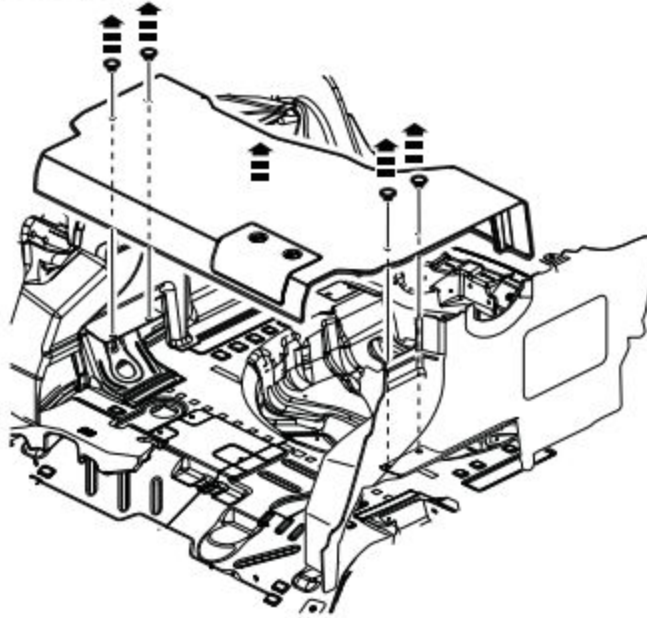
**NOTE:** Fusion Energi vehicles only.

8. Remove the auxiliary charge plug tool box from the cargo area.



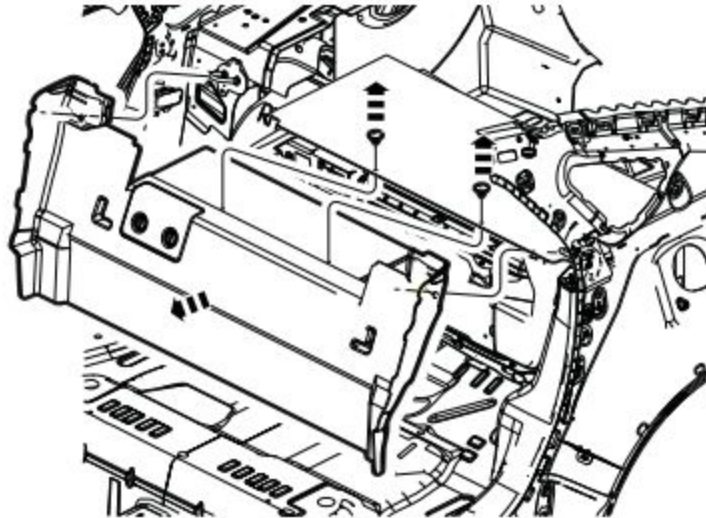
**NOTE:** Fusion Hybrid and MKZ Hybrid vehicles.

9. Remove the battery cover.



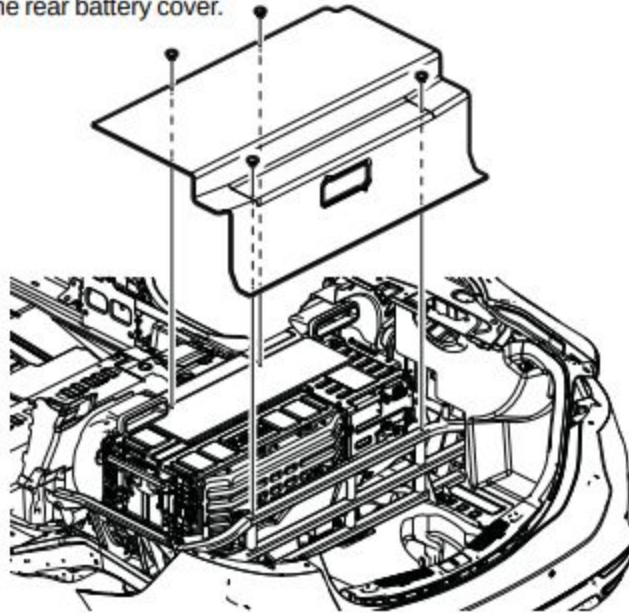
**NOTE:** Fusion Energi vehicles.

10. Remove the front battery cover.



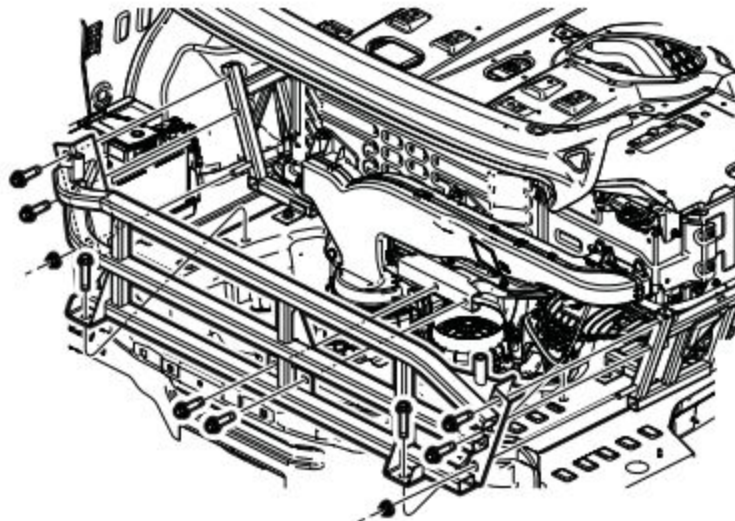
**NOTE:** Fusion Energi vehicles.

11. Remove the rear battery cover.



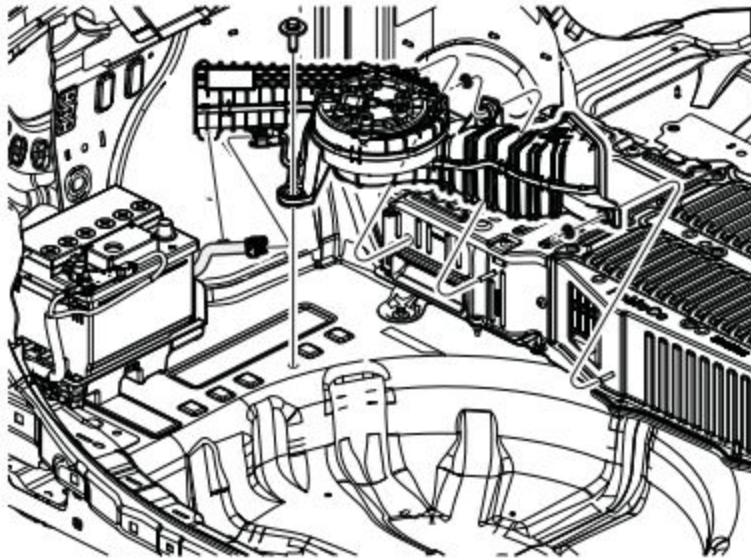
**NOTE:** Fusion Energi vehicles.

12. Remove the rear battery protector.



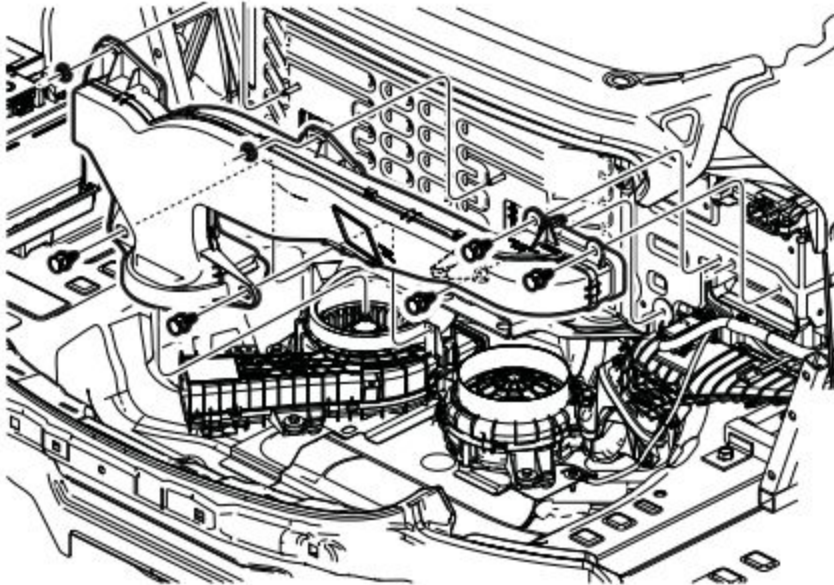
**NOTE:** Fusion Hybrid and MKZ Hybrid vehicles.

13. Disconnect and remove the traction battery fan.



**NOTE:** Fusion Energi vehicles only.

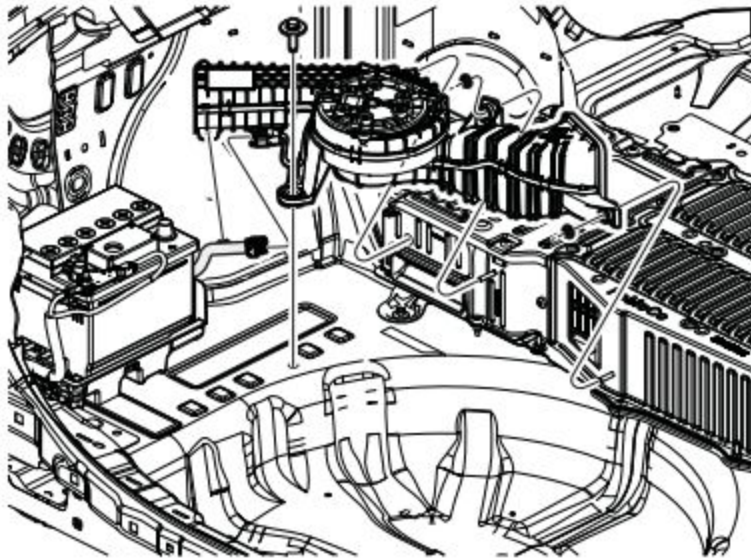
14. Remove the traction battery outlet vent.





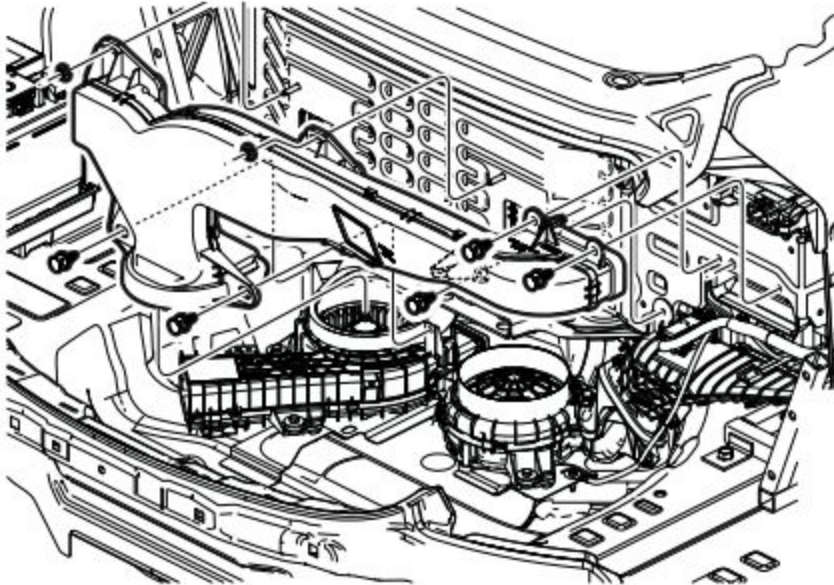
**NOTE:** Fusion Hybrid and MKZ Hybrid vehicles.

13. Disconnect and remove the traction battery fan.



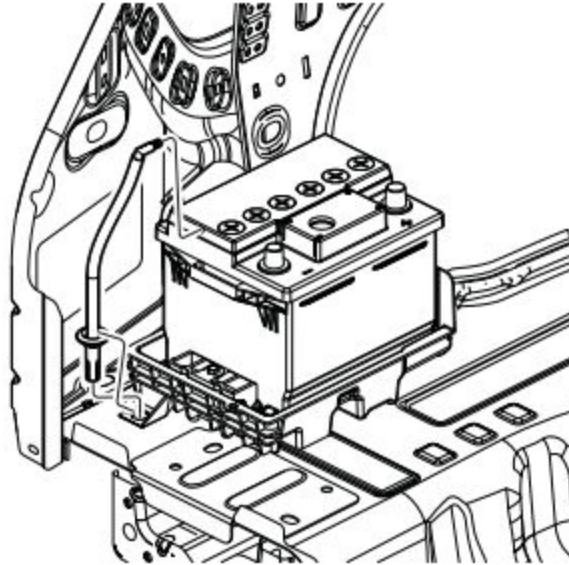
**NOTE:** Fusion Energi vehicles only.

14. Remove the traction battery outlet vent.



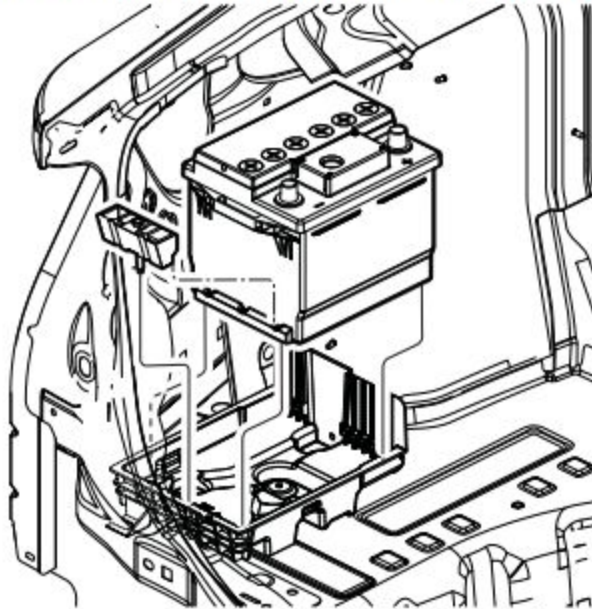
**NOTE:** Fusion Hybrid shown, MKZ Hybrid and Fusion Energi similar.

21. Remove the vent from the 12V battery located in the cargo area on the driver side.



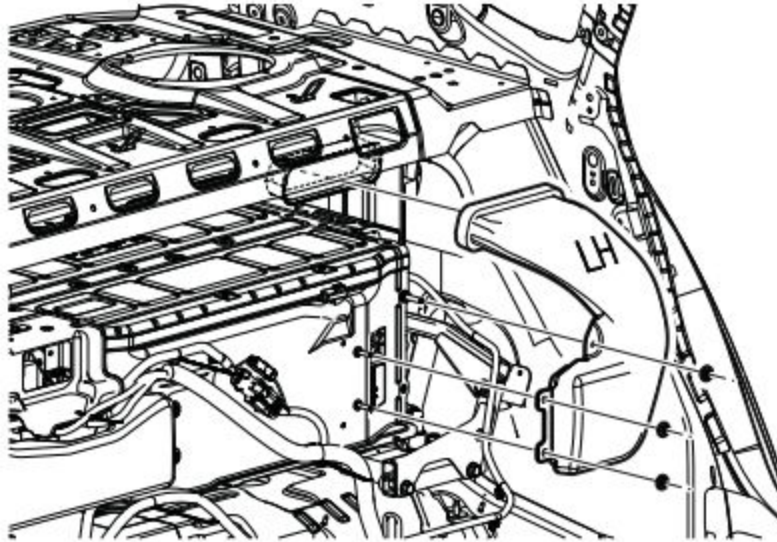
**NOTE:** Fusion Hybrid shown, MKZ Hybrid and Fusion Energi similar.

22. Remove the 12V battery located in the cargo area on the driver side.



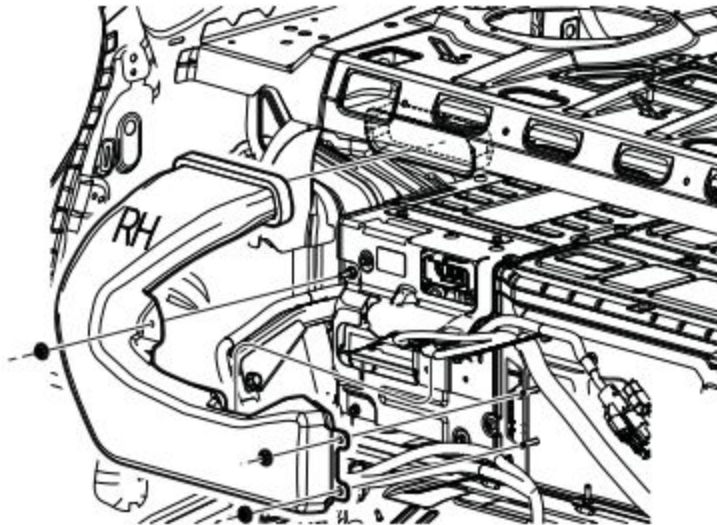
**NOTE:** Fusion Energi vehicles only.

24. Remove the LH traction battery inlet vent.



**NOTE:** Fusion Energi vehicles only.

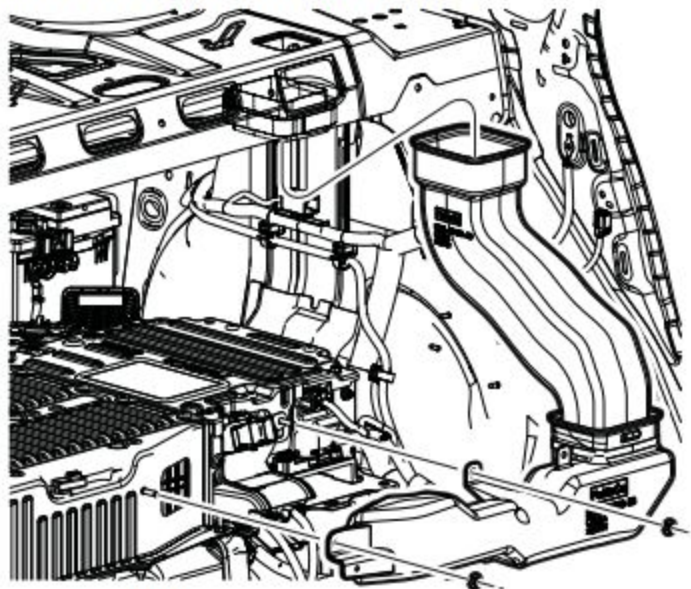
25. Remove the RH traction battery inlet vent.



**NOTE:** Fusion Hybrid and MKZ Hybrid vehicles.

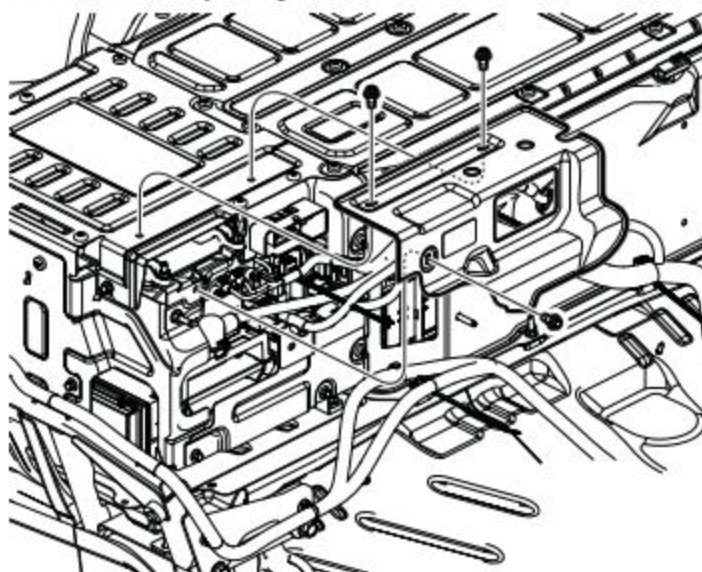
**NOTE:** LH shown, RH similar.

26. Remove the LH and RH traction battery outlet vents.



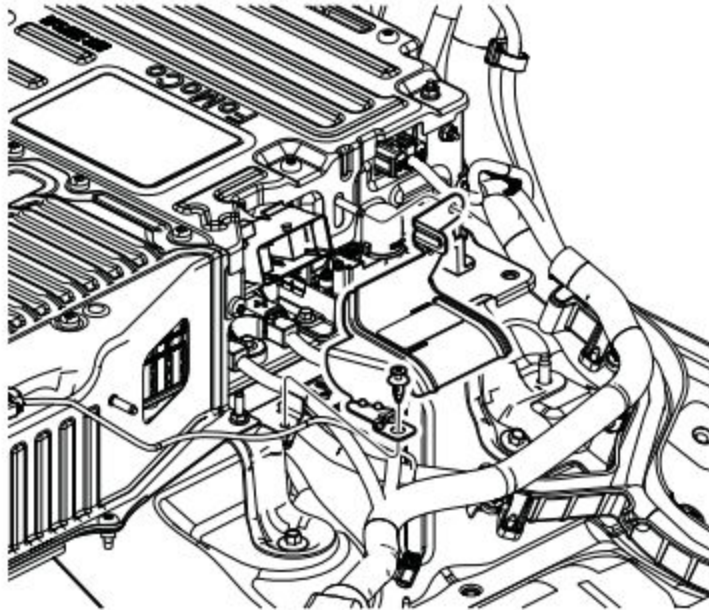
**NOTE:** Fusion Energi vehicles only.

27. Remove the traction battery wiring cover.



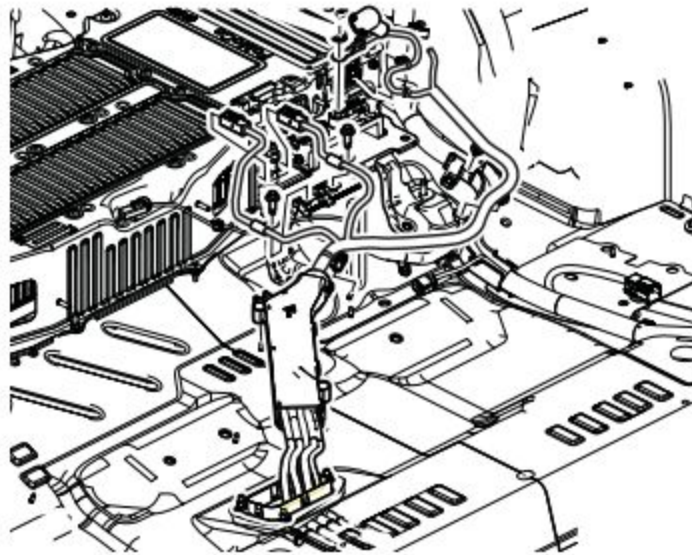
**NOTE:** Fusion Hybrid and MKZ Hybrid vehicles.

28. Remove the Traction Battery wiring cover.



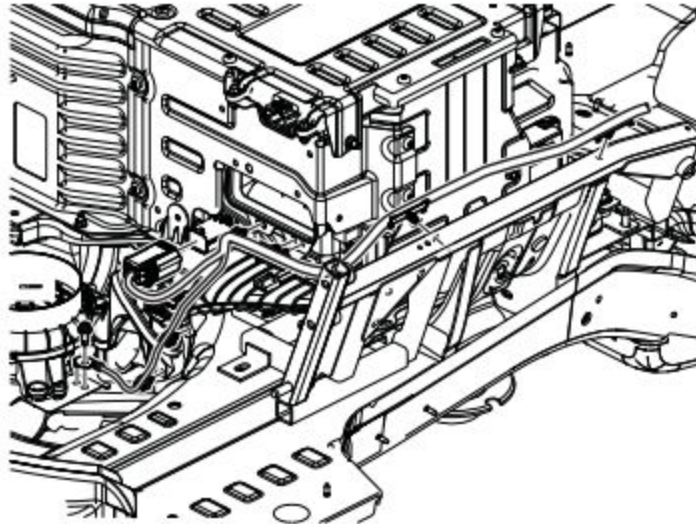
**NOTE:** Fusion Hybrid and MKZ Hybrid vehicles.

29. Disconnect the traction battery wiring at the battery and reposition.



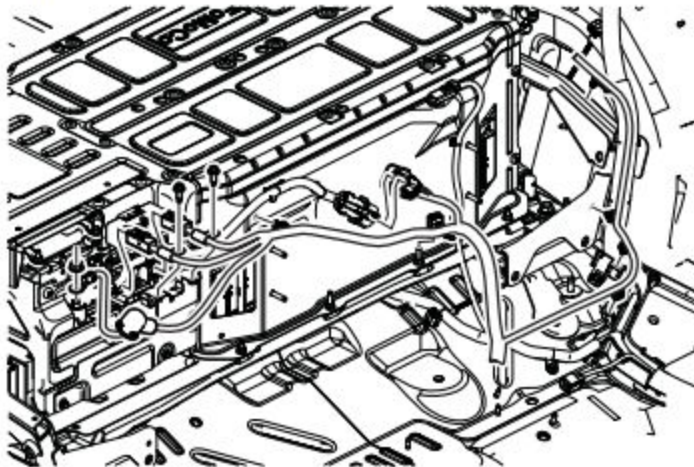
**NOTE:** Fusion Energi vehicles only.

30. Disconnect the traction battery wiring located at the rear of the battery on the passenger side and reposition..



**NOTE:** Fusion Energi vehicles only.

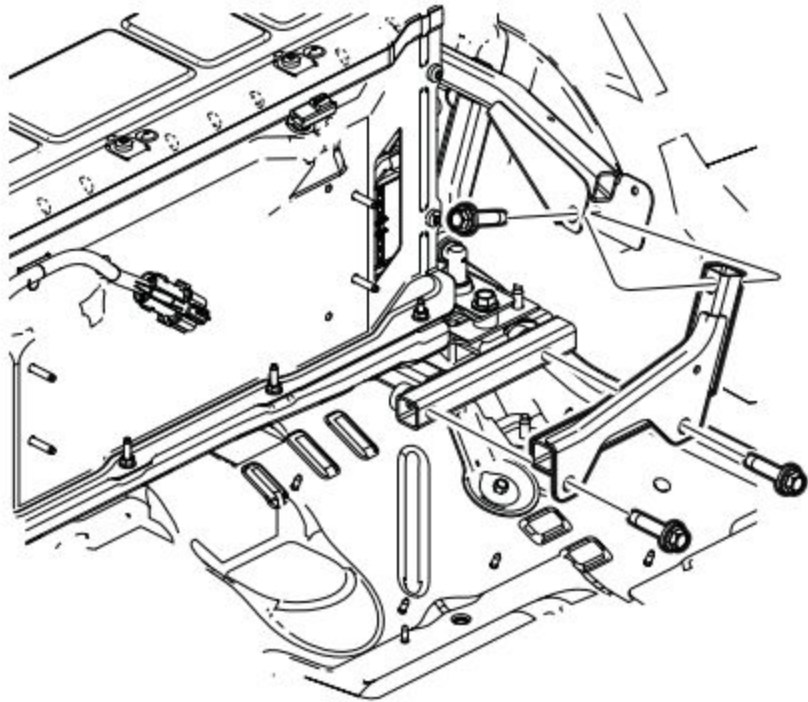
31. Disconnect the traction battery wiring at the front of the battery on the passenger side and reposition.



**NOTE:** Fusion Energi vehicles only.

**NOTE:** LH shown, RH similar.

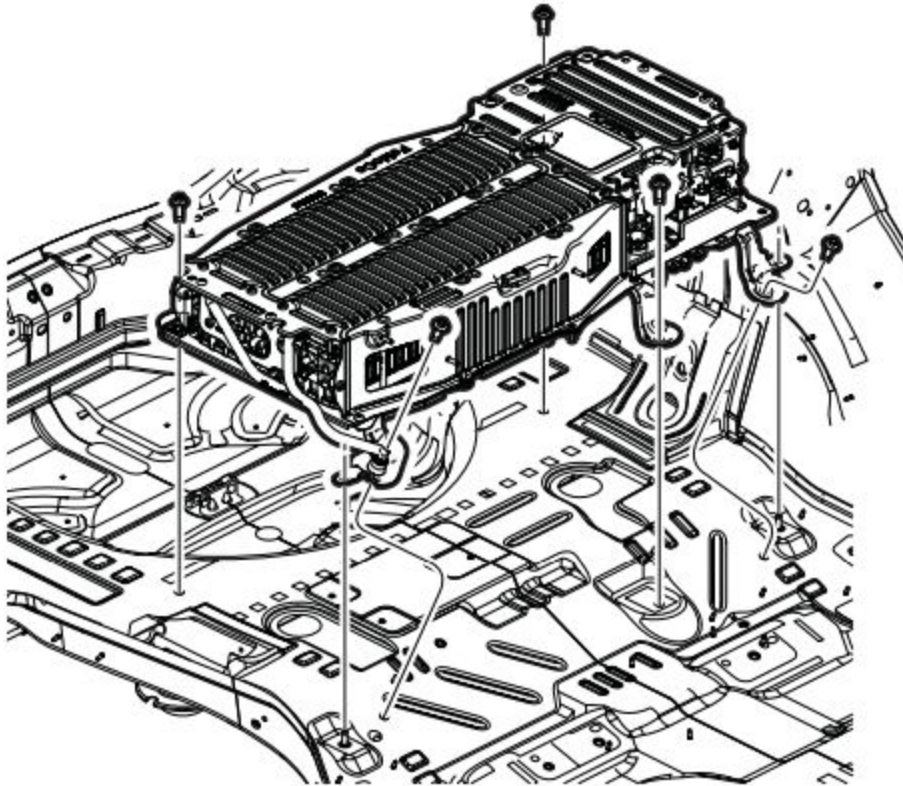
32. Remove the front battery protector on both sides.



**NOTE:** Fusion Hybrid and MKZ Hybrid vehicles.

33. Remove the five fasteners securing the traction battery to the floor pan.

34. With the help of an assistant, lift the traction battery and remove through the cargo/trunk area.



**For installation please follow the same steps in reverse order.**